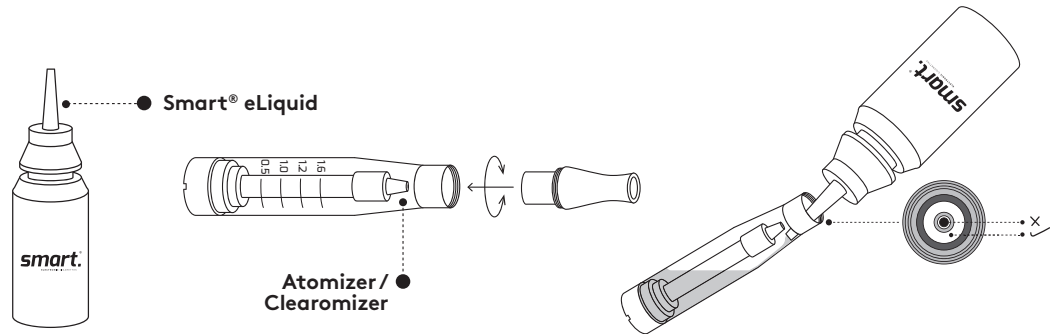


smart.[®] eLiquid
ELECTRONIC CIGARETTES

Filling the Smart[®] Atomizer/ Clearomizer

Unscrew the child-proof Smart[®] eLiquid bottle cap by pressing down and rotate counter-clockwise. Gently transfer the liquid into the atomizer tank as shown in the picture. Make sure to pour the eLiquid in the glass tank but not in the middle atomizer needle as shown in the picture. Never overfill to avoid leakage. These filling instructions apply to Smart[®] Atomizers and Clearomizers. When using other atomizers refer to their instructions on how to correctly fill with eLiquid before use.



Contra-indications and precautions

Ingredients on outer packaging. Some eLiquids contain nicotine (see outer packaging for nicotine strength in mg/ml). Nicotine is a highly addictive substance and as a result this product should not be used by non-smokers; persons younger than 18 years of age and those demonstrating a sensitivity to nicotine. eCigarettes should not be used by those suffering from respiratory/ cardiovascular disease and women who are pregnant or lactating. Harmful if swallowed. If swallowed, take this leaflet with you and seek medical assistance immediately. eLiquids containing nicotine are harmful if exposed to skin or eyes. If this occurs, rinse with soap and water. Do not vape more than 4mL of eLiquid per day as this may cause irritation to the respiratory tract. eLiquid is flammable. Do not expose to fire sources. Smart® eCigarettes are not responsible for undesired effects if not used according to instructions. Vape at your own risk.

smart.[®]
ELECTRONIC CIGARETTES

Distributor Contact Details (Malta)

Ellul & Ellul Holdings Ltd
Office No.3 at
The Peak Business Centre
St. Catherine's Street,
Attard. ATD 2503

Enquiries:
sales@ellulandellul.com

www.smartecig.net



Manufactured in the PRC under a
European trademark license.



CE RoHS